



Security Systems

CHALLENGER ELECTROMECHANICAL ARM BARRIERS | **CHALLENGER BARRIER (B SERIES)**

Optima Challenger barriers are designed to control the high flow of traffic and parking places. The ideal solution for heavy-duty service on the driveway (residential parking control) and intensive use (public parking control) even in peculiar and difficult climatic conditions.



SYSTEM FEATURES

MODEL	CHALLENGER B SERIES			
	B300	B600	B800	QUICK
Maximum Arm Length	Up to 4 m	4-6 m	6-8 m	0-2.75 m
Opening Time	4 seconds	6 seconds	8 seconds	1 seconds
Cabinet	Galvanized steel			
Arm Type & Material	120 mm ellipse & aluminum			
Power Supply (V – 50/60 Hz)	220 V +/- %10			
Automatic Time Delay	Activated or deactivated if required, adjusted as 5sec and its multiples (35 sec. upper limit)			
Protection Rating	IP55			
Electronics Control Cabinet	IP67			
Power Failure	Manual operation			
Environmental Conditions	-15 °C / +65 °C , %95 humidity			
Power Consumption / Insurance Value	550 W / 4 Amper Fuse			



- Arm is aluminum with a special elliptical like cross-section design.
- Low power consumption and silent running.
- Compatible with all access control systems.
- All control electronics manufactured by Optima.

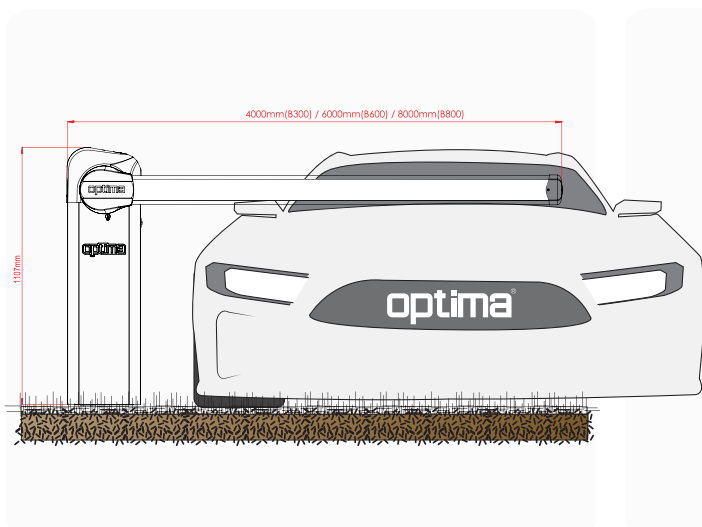
ACCESSORIES

Accessories marked with (*) are optional.

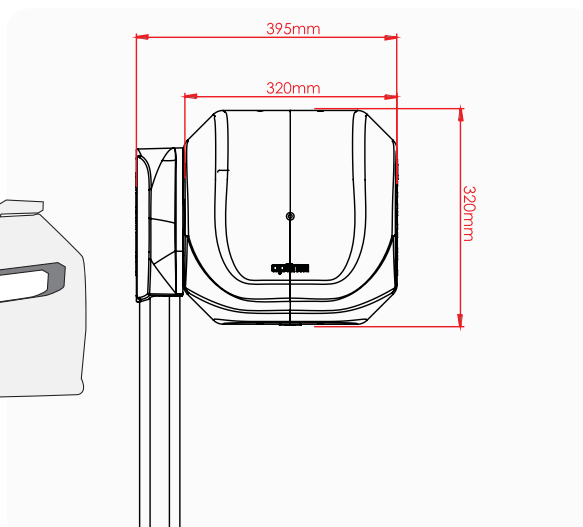
- SCADA or any control system: It is possible to change and check the position of barrier with touch screen control panel *
- Red/Green led light above the aluminum barrier arm
- Red/green traffic lights with steel pole *
- Flashing light (flashes while the arm is in motion) *
- Safety photocell *
- Stand and casing for safety photocell *
- Pneumatic edge sensor *
- Dual vehicle safety loop detector *
- Push button box (Raise/Lower/Emergency Stop) *
- Arm end foot *
- Sound signaling device (buzzer) *
- Optima Cloud. To control barrier by mobile devices (ios-android), computer, etc. *
- Radio receiver/transmitter *
- Radio antenna *
- Wrongdirection alarm *
- High speed alarm *
- Protection bar for barrier cabinet *
- Barrier skirt (up to 5 meters) *
- Stop sign in the middle of barrier arm *
- Arm joint apparatus *
- Broken arm information *
- Fork feet *

BODY MEASUREMENTS

FRONT VIEW



TOP VIEW



Loc 1: Antelias, Seaside, SSS Bldg, beside AISHTI.
Loc 2: Bchamoun, Behind Louise Wegmann, SSS Bldg.

Tel: +961 71 260 007

Email: sales@sss-lb.com

www.sss-lb.com