



## GENERAL VIEW OF SAB-100



## GENERAL DESCRIPTION

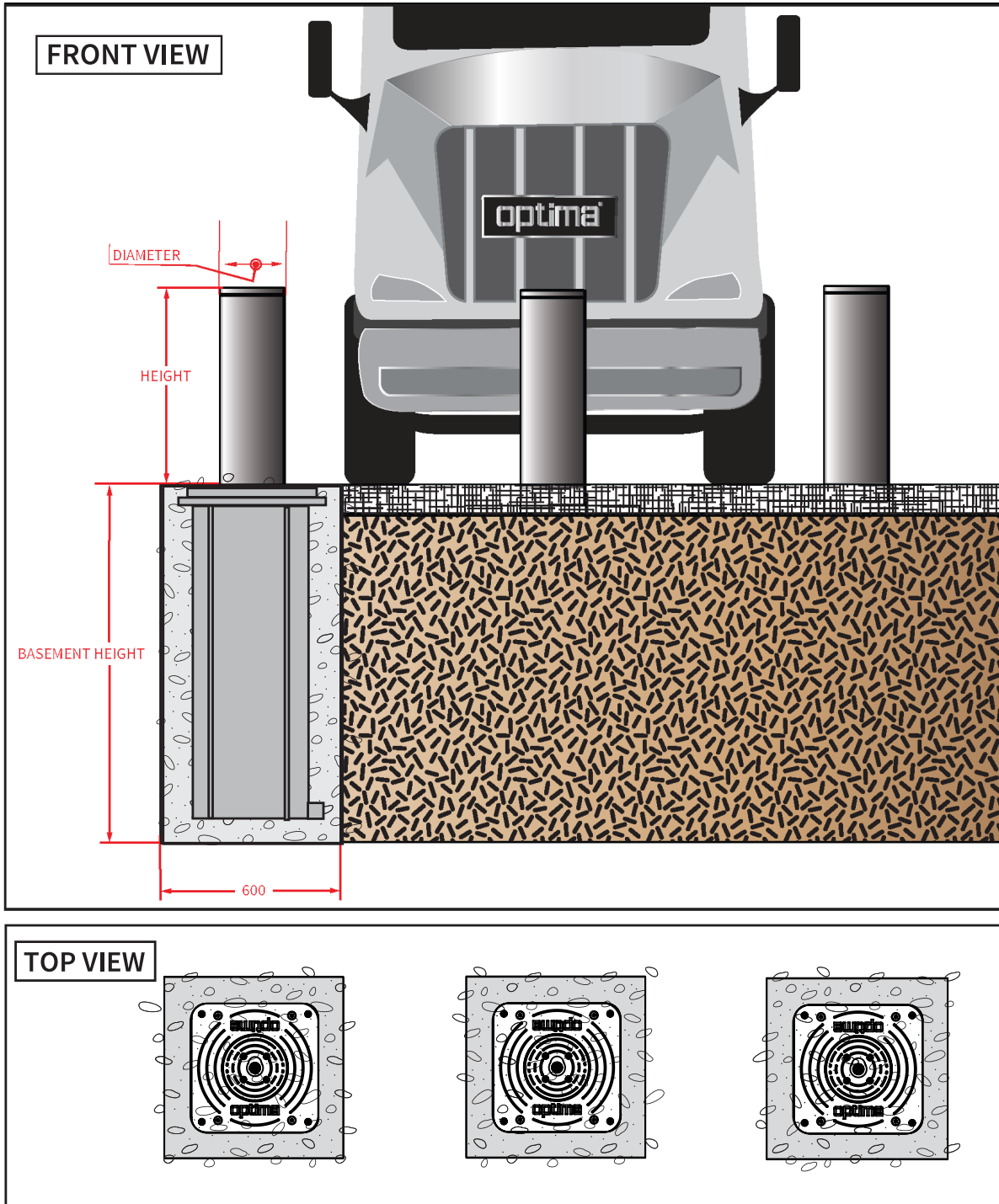
Optima SAB-100 semi-automatic bollard is acting like a retractable bollard, however, working without electricity. It is rising automatically and closing manually with the help of the gas piston. Optima SAB-100 semi-automatic bollard is designed for vehicle entrances, military, industrial, governmental and commercial buildings or streets which are closed to vehicle traffic between certain hours of the day.

## STEEL STRUCTURE

- ⇒ Diameter: Ø215mm.
- ⇒ Height: 585mm.
- ⇒ Embedded portion: 995mm.
- ⇒ Rising/lowering: Rising is automatically by the help of a gas spring, lowering is with physical force.
- ⇒ Installation: Embedded type, a pit for pouring concrete is standard.
- ⇒ Operating time: Approximately 2-3 seconds.
- ⇒ Top flange: Aluminium.
- ⇒ Material: Outer surface is AISI 316 stainless steel with a satin finish, the inner tube is strong alloy steel.
- ⇒ Key-lock mechanism: Only the release key is needed to operate the bollard. The key-lock of the bollard is on the top flange.



## MAIN BODY FOUNDATION DIMENSIONS



Loc 1: Antelias, Seaside, SSS Bldg, beside AISHTI.

Loc 2: Bchamoun, Behind Louise Wegmann, SSS Bldg.

Tel: +961 71 260 007

Email: sales@sss-lb.com

www.sss-lb.com