



MSW-100



GENERAL DESCRIPTION

Optima MSW manual swing turnstile is used to control the flow of pedestrian traffic. It is designed for one-way 90° swing and is extensively used in retail stores, commercial facilities etc. to enable handicapped access to a secure area.

SYSTEM SPECIFICATIONS

MODELS	MSW
Material of Body	AISI 304-Grade stainless steel
Passage Width	550-900 mm
Mechanism	Manual mechanism
Electro Magnetic Locking Mechanism (optional)	Unlock by access control or push button box
Usage Area	Suitable for indoor and outdoor use
Environmental Conditions	Between -15 °C and +65 °C, 95% non-condensing humidity



ACCESSORIES

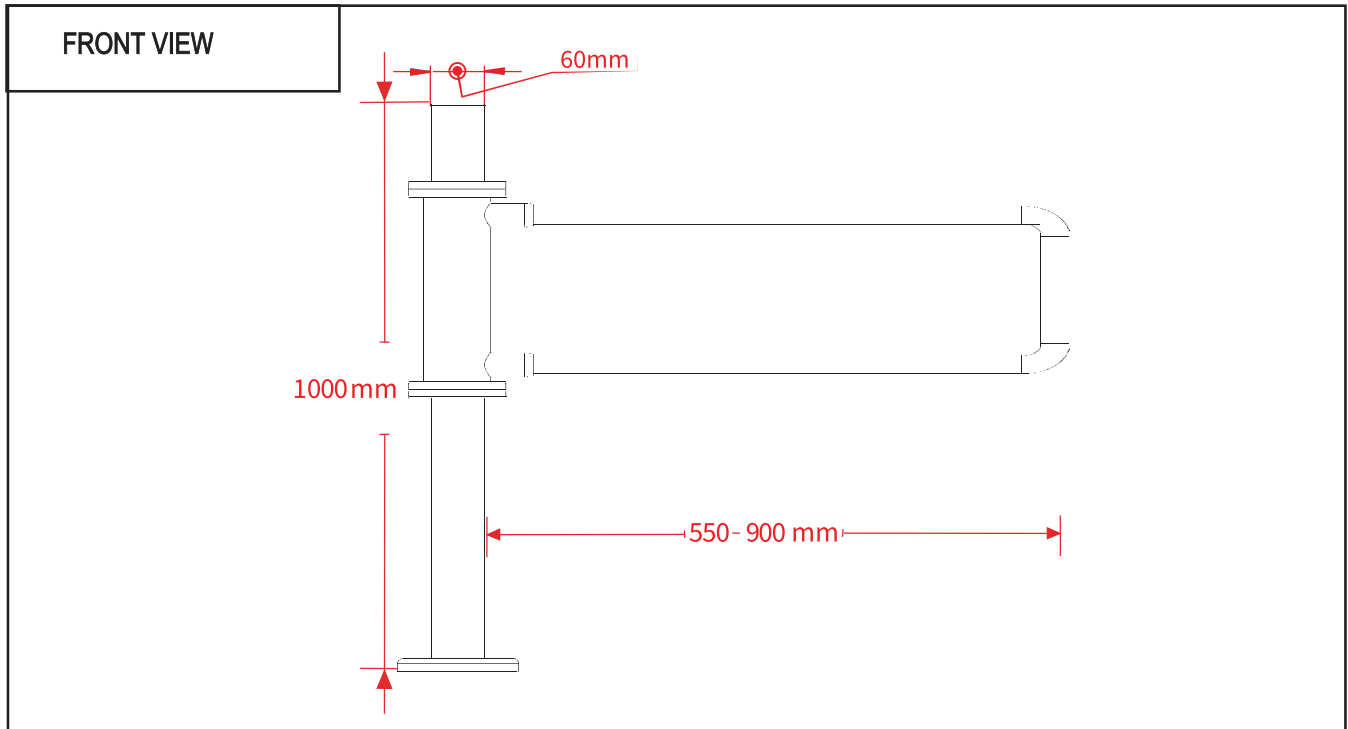
Electro magnetic locking mechanism *

Stainless steel railing *

Logo print on the flap *

 (Accessories marked with (*) are optional.)

MAIN BODY MEASUREMENTS



Loc 1: Antelias, Seaside, SSS Bldg, beside AISHTI.
Loc 2: Bchamoun, Behind Louise Wegmann, SSS Bldg.

Tel: +961 71 260 007
Email: sales@sss-lb.com
www.sss-lb.com