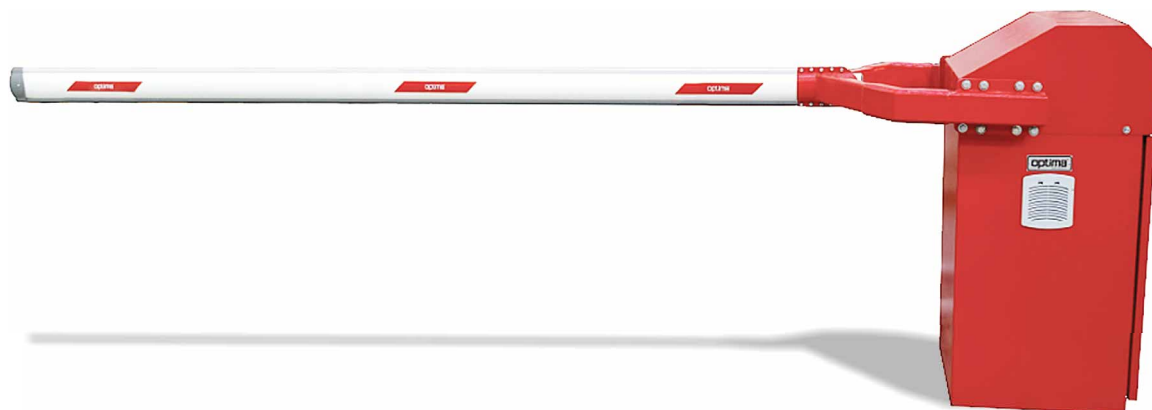




HAB



GENERAL DESCRIPTION

Optima high-security hydraulic arm barriers are designed especially for entrance points which have a medium level of threat of vehicle attack or for the ones that have medium level security requirements.

CABINET

Barrier cabinet is designed to IP 55. Body front lid and the top lid is manufactured from galvanized steel. They are RAL 2004 are electrostatically powder coated and then furnace. Anchoring to the floor is achieved by a galvanized anchoring plate. There are air circulation openings on the front lid which is opened by a key.

ARM

The arm is 124x60 mm ellipse diameter aluminum tubing or 100mm diameter aluminum pipe with locking structure welded on both sides. Arm supports are fabricated from box beams. The maximum arm length can be as long as 8 meters.



HYDRAULIC POWER UNIT AND CONTROL ELECTRONICS

The hand pump is standard in HAB series, therefore in case of power failure, it is possible to raise and lower the barrier by a manual hand pump. Hydraulic cylinder has cushions at both ends. Cooler fan or heater can be integrated inside the cabinet optionally. Optima barriers are controlled with the help of Optima PLC controller. The unit comes with a desktop control keyboard. The motor is driven by a frequency inverter and protected by a thermic breaker. Because of frequency inverter the arm can achieve smooth motion the low current voltage required by the system is supplied by a switch-mode power supply.

A traffic light can be integrated the barrier to prevent accidents. The lights change state automatically depending on the barrier position. In addition to this, radio control receiver, transmitter, and antenna, safety photocell, loop detectors, flashing lights, card reader, etc. can be integrated into the system easily. All the cables running in the system are color-coded and numbered for easy tracking.

ENVIRONMENTAL CONDITIONS AND POWER REQUIREMENT

Between -15°C and +65°C, %95 non condensing humidity, 380-415 VAC, 50-60 Hz (or 220-240 VAC, 50-60 Hz optional)

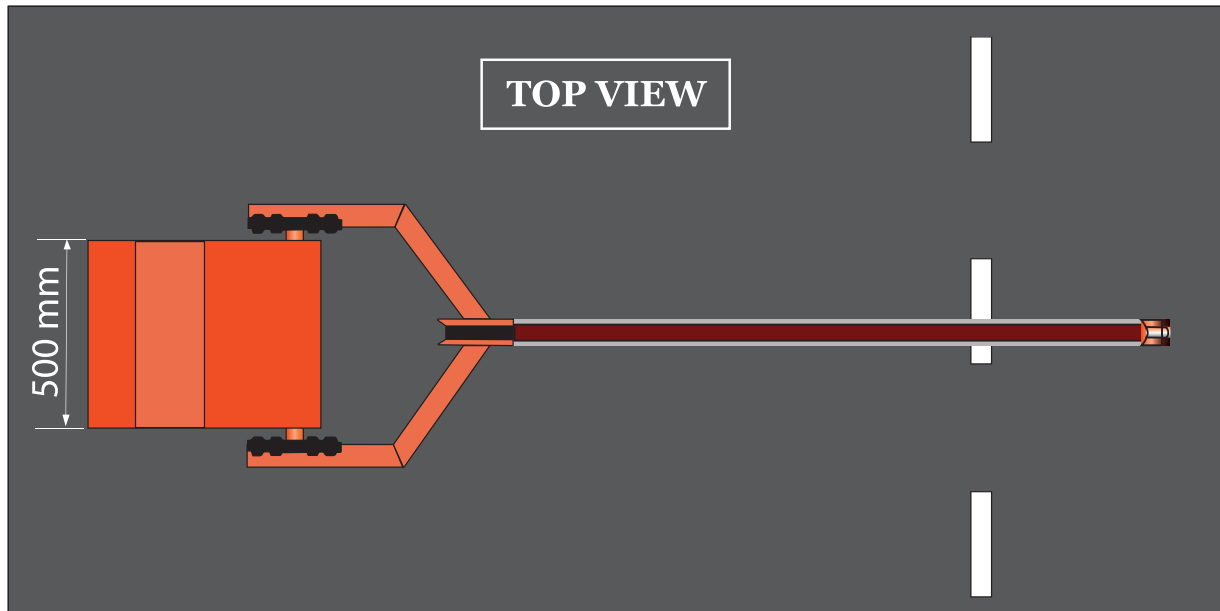
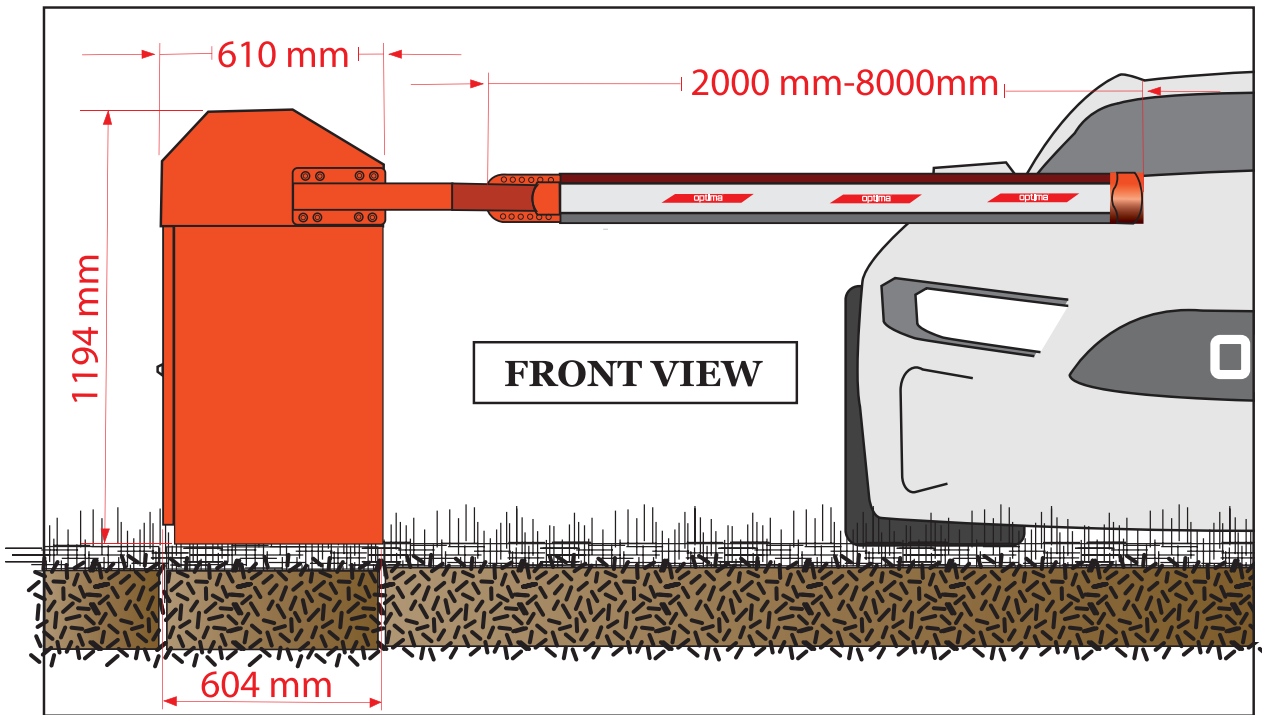
OPTIONAL ACCESSORIES

- ⇒ Push button box.
- ⇒ Red/green traffic lights with steel pole.
- ⇒ Flashing light (flashes while the arm is in motion).
- ⇒ LED light under the aluminum barrier arm.
- ⇒ Safety photocell.
- ⇒ Stand and casing for safety photocell.
- ⇒ Pneumatic edge safety sensor.
- ⇒ Dual vehicle safety loop detector.
- ⇒ Radio receiver & antenna.
- ⇒ Radio transmitter..
- ⇒ Wrong way alarm.
- ⇒ High speed alarm.
- ⇒ Protection bar for barrier cabinet.
- ⇒ Barrier skirt (aluminum).
- ⇒ Stop sign in the middle of barrier arm.
- ⇒ SCADA or any control system: It is possible to change and check the position of barrier with touch screen control panel, mobile devices (ios-android), computer, etc.



MAIN BODY MEASUREMENTS

Arm Length: From 2mt to 8mt.



Loc 1: Antelias, Seaside, SSS Bldg, beside AISHTI.
Loc 2: Bchamoun, Behind Louise Wegmann, SSS Bldg.

Tel: +961 71 260 007

Email: sales@sss-lb.com

www.sss-lb.com