



## Security Systems

### SLIM HIDDEN SPEED GATE TURNSTILE | SHG-100

*Optima Slim Hidden gate provides aesthetic and effective control of entry or exit at kinds of toll connection systems like train/metro stations, and access control for commercial centers, stadium, schools, government, and private sector buildings, etc.*



## SYSTEM FEATURES

MODEL	SHG-100
Cabinet	Main body and lateral lids are AISI 304-grade stainless steel (optional black stainless steel)
Top Cover and Flap	Tempered glass
Maintenance	Lateral covers are removable for easy maintenance
Control	Optima Control Cards
During Operation	Low power consumption and silent running
Alarm System	Turnstile is equipped with an alarm system which senses forbidden and reverse direction passing
Adjustable Automatic Close	Turnstiles closes flaps by itself after adjusted time if a valid card is presented but person not passed
Obstacle Detection	All the obstacles in the passage are sensed with photoelectric sensors
Usage Area	Indoor use only
Integration	Compatible with all access control systems
Power Consumption / Insurance Value	200 W / 1 Amper Fuse
Power Failure	Turnstile opens in two directions
Environmental Conditions and Power Requirements	Between -15 °C and +65 °C, 95% non-condensing humidity; 220 V +/- 10%, mono phase, 50-60 Hz



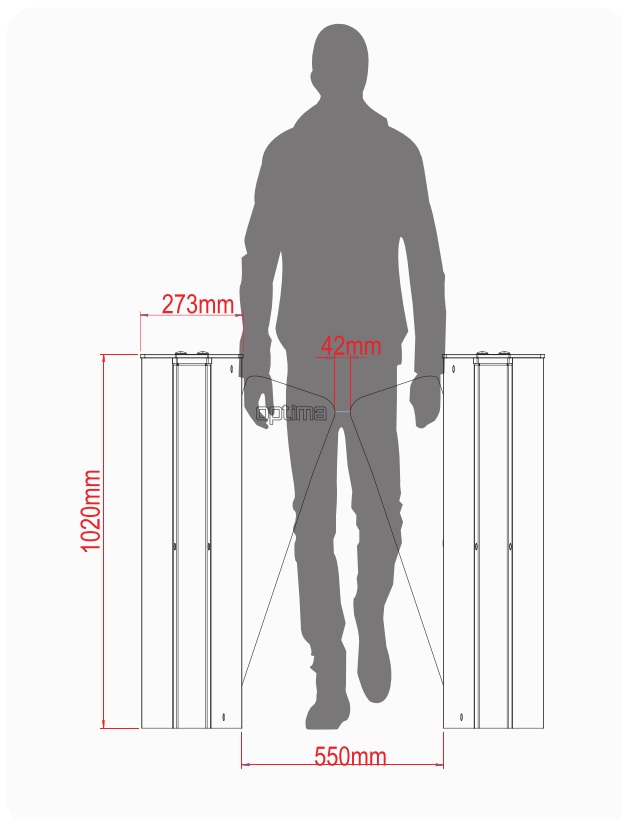
## ACCESSORIES

*Accessories marked with (\*) are optional.*

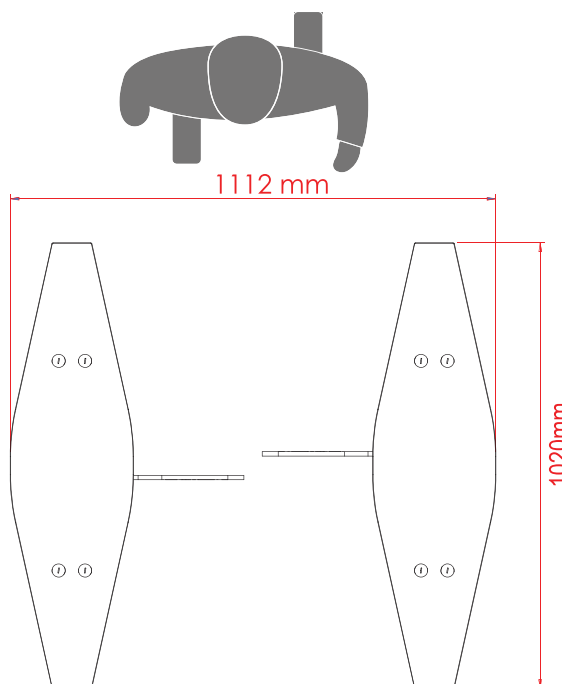
- SCADA or any control system: It is possible to change and check the position of turnstile with touch screen control panel \*
- Optima Cloud. To control turnstile by mobile devices (ios-android), computer, etc \*
- Uninterrupted power supply (UPS) \*
- Logo print on the flaps \*
- Sound signaling device (buzzer) \*
- Card reader mounting plate with pedestal or on the turnstile \*
- Card reader system \*
- Stainless steel railing \*
- Digital counter \*
- Push button box \*

## BODY MEASUREMENTS

**FRONT VIEW**



**TOP VIEW**



Loc 1: Antelias, Seaside, SSS Bldg, beside AISHTI.  
Loc 2: Bchamoun, Behind Louise Wegmann, SSS Bldg.

Tel: +961 71 260 007  
Email: [sales@sss-lb.com](mailto:sales@sss-lb.com)  
[www.sss-lb.com](http://www.sss-lb.com)