



## Security Systems

### CHALLENGER ELECTROMECHANICALING ARTICULATED ARM BARRIERS | **CHALLENGER - ART**

*Electromechanical barriers with articulated arms are designed especially for controlled flow of traffic and parking areas. Thanks to articulated arm feature, it is suitable for use in places without high passages or with low ceilings.*



## SYSTEM FEATURES

MODEL	CHALLENGER ART
Maximum Arm Length	Up to 4 m
Opening Time	6 seconds
Cabinet	Galvanized steel
Arm Type & Material	120 mm ellipse & aluminum
Power Supply (V – 50/60 Hz)	220 V +/- %10
Automatic Time Delay	Activated or deactivated if required, adjusted as 5sec and its multiples (35 sec. upper limit)
Protection Rating	IP55
Control Electronics Cabinet	IP67
Power Failure	Manual operation
Environmental Conditions	-15 °C / +65 °C , %95 humidity



■ Arm is aluminum with a special elliptical like cross-section design.

■ Compatible with all access control systems.

■ Low power consumption and silent running.

■ All control electronics manufactured by Optima.

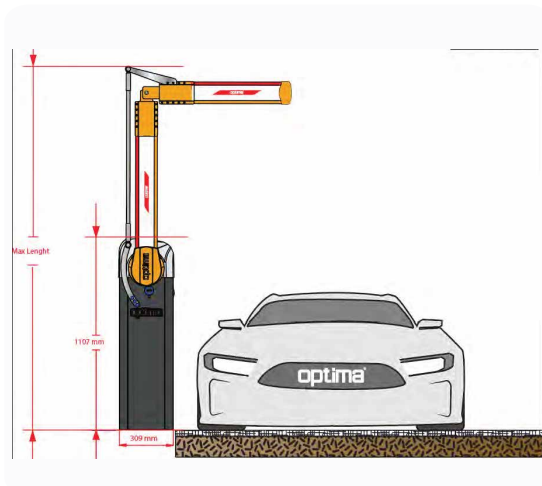
## ACCESSORIES

Accessories marked with (\*) are optional.

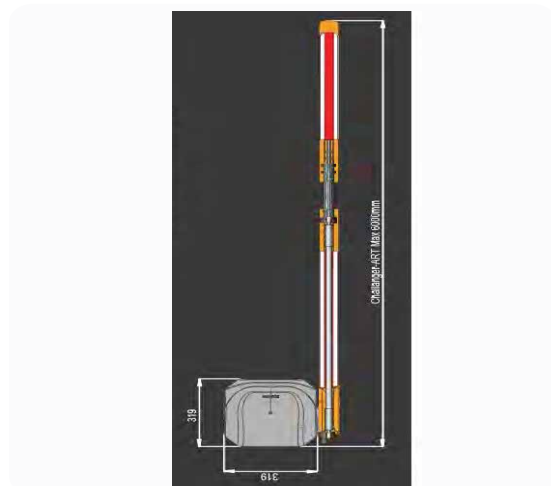
- SCADA or any control system: It is possible to change and check the position of barrier with touch screen control panel \*
- Fork Foot \*
- Red/green traffic lights with steel pole \*
- Safety photocell \*
- Flashing light (flashes while the arm is in motion) \*
- Safety photocell \*
- Stand and casing for safety photocell \*
- Broken arm information \*
- Dual vehicle safety loop detector \*
- Push button box (Raise/Lower/Emergency Stop) \*
- Optima Cloud. To control barrier by mobile devices (ios-android), computer, etc. \*
- Radio receiver/transmitter \*
- Radio antenna \*
- Wrong direction alarm \*
- High speed alarm \*
- Protection bar for barrier cabinet \*
- Stop sign in the middle of barrier arm \*
- Sound signaling device (buzzer) \*
- Red/Green led light above the aluminum barrier arm

## BODY MEASUREMENTS

FRONT VIEW



TOP VIEW



Loc 1: Antelias, Seaside, SSS Bldg, beside AISHTI.  
Loc 2: Bchamoun, Behind Louise Wegmann, SSS Bldg.

Tel: +961 71 260 007

Email: sales@sss-lb.com

www.sss-lb.com