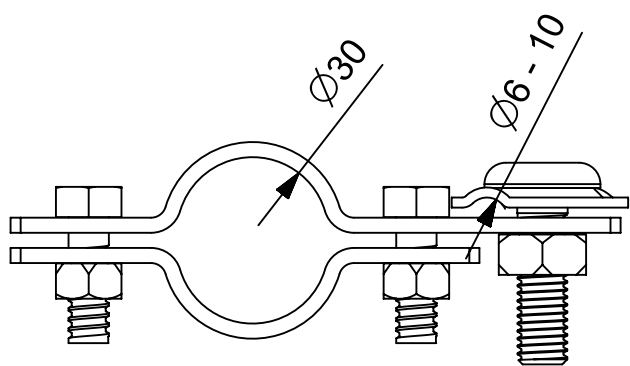


1 2 3 4 5 6

A



Description

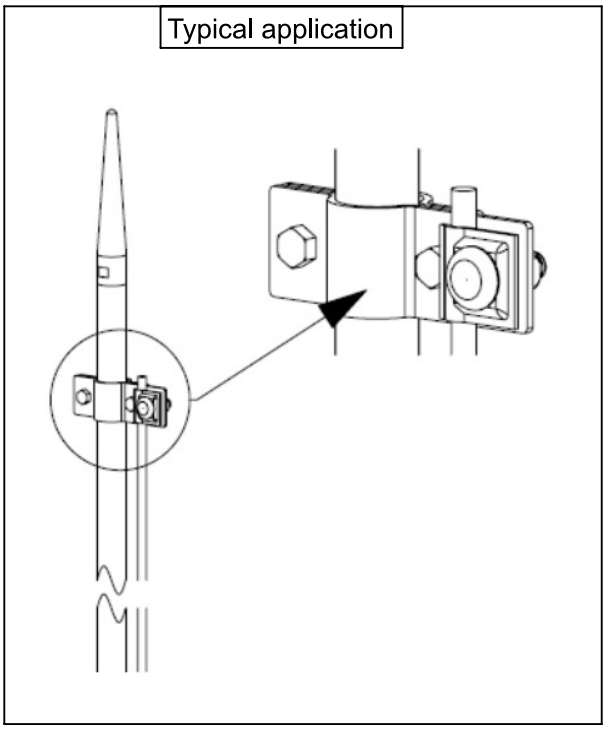
Connector, tested according to IEC 62561-1, class “H” (Heavy duty), for connection of franklin rod Ø30 mm, to solid round (Ø6–10 mm) or stranded (35–70 mm²) conductor. It is consisted of a pipe clamp made out of nickel plated copper (Cu/eNi) which bonds the franklin rod and a conductor clamp made out of Stainless steel (V2A) which bonds the conductor . The tightening of franklin rod is achieved by two stainless steel (V2A) hexagon head bolts screws M8x20 mm and stainless steel (V2A) M8 nuts. The tightening of the conductor is achieved by a stainless steel (V2A) screw M10x30 mm and a stainless steel (V2A) M10 nut.

B




C

D

Typical application



All dimensions in mm

Description		Raw material	Item code	Optional conductor (Round or stranded)
Connector for Franklin rod		Cu/eNi	65 21 031	64 20 008 or 64 20 108
		Title: Connector for Franklin rod		
		FIRST ISSUED	October 2016	
DRAWN BY	Dionysopoulos G.	Model		
CHECKED BY	Kokkinos D.	65 21 031		
APPROVED BY	Kokkinos D.	 .elemko.gr		 elemko@elemko.gr
SCALE	None			
ISSUANCE DATE	February 2017	SHEET 1 OF 1		

1 2 3 4 5 A4