

PRODUCT DATA SHEET

LIGHTNING PROTECTION AND EARTHING SYSTEM COMPONENTS

Code: 61 77 253

ed.02/2021

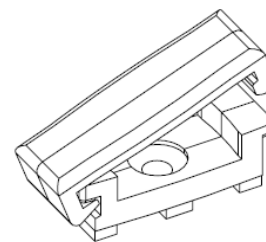
Description: Polypropylene fastener for PVC covered tape conductor

Application

Fastening tape conductor. Used in air termination system, down conductor system, earthing system. Suitable for brick, concrete or metallic surfaces.

Classification as per IEC EN 62561

- Non-metallic.
- Without screws.
- Designed to clamp but allow axial movement of the conductor.



Technical characteristics

Material	Polypropylene UV and weather resistant
Withstands (according to IEC EN 62561-4)	Lateral load, 200 N

Installation instructions

Conductor's dimensions	25x3 mm PVC covered
Compatibility with conductors made of	Al, Cu, Cu/eSn, SSt (Stainless Steel), St/tZn, PVC
Fixing on brick or concrete	Through a wood fixing screw (not included) and a PVC wall plug (not included).
Fixing on metallic surface	Through a blind rivet nut for 0,25–3,5mm surface thickness (ELEMKO code 6504409 – not included) and an M6x40 mm screw (ELEMKO code 5700640 – not included)
Conductor's fixing	Clipped on the fastener without using any tools
Spacing between fasteners of air termination conductors	≤500 mm ¹⁾ .
Spacing between fasteners of down conductors	≤1000 mm for heights ≤20 m. ≤500 mm for heights ≥20 m.
Before and after of change of direction or clamp or contraction-expansion absorbing component.	≤300 mm.

Testing as per IEC EN 62561

The component has successfully passed the testing requirements of standard IEC EN 62561-4 "Lightning protection system components (LPSC) – Part 4 : Requirements for conductor fasteners".
Test report No **31485** by accredited laboratory as per ISO 17025

Manufacturing Quality Control

Manufacturing quality control according to standard ISO 9001

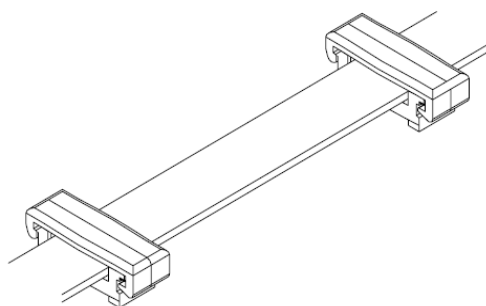
Country of Origin

Greece

Optional accessories²⁾

Blind rivet nut, ELEMKO code 65 04 409	Hand riveter, ELEMKO code 65 04 000
St/tZn M6x40 mm screw, ELEMKO code 57 00 640	

Unit: piece


¹⁾Where additional mechanical strength is required, e.g snow, strong winds etc, the spacing between the fasteners should be ≤300 mm.

²⁾ See relevant data sheet

We reserve the right to introduce changes in the component due to technical evolution.