

PRODUCT DATA SHEET

LIGHTNING PROTECTION AND EARTHING SYSTEM COMPONENTS

Code: 60 13 005

ed.01/2020

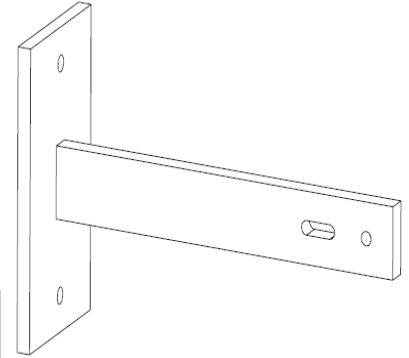
Description: Set of two bases for air termination rod mast

Application

Base for air termination rod mast, made out from hot dip galvanized steel (St/tZn). Two bases are required for the mast support. The mast is fastened to each base through U-bolt fastener (part numbers ELEMKO 60 04 033 or 60 04 040 or 60 04 048 – not included).

Technical characteristics – Installation instructions

Material	Hot dip galvanized steel (St/tZn)	
Can be connected with	Al, SSt (stainless steel), St/tZn	
Supplied accessories (4 pieces each)	M12x140 mm St/eZn anchor	
	M12x60 mm St/tZn hexagon head screw	
	M12 St/tZn nut	
	M12 St/tZn washer	
Distance between bases according to the height of mast	Height of mast (mm)	Bases' distance (mm)
	3000	500
	6000	800
	7000	800



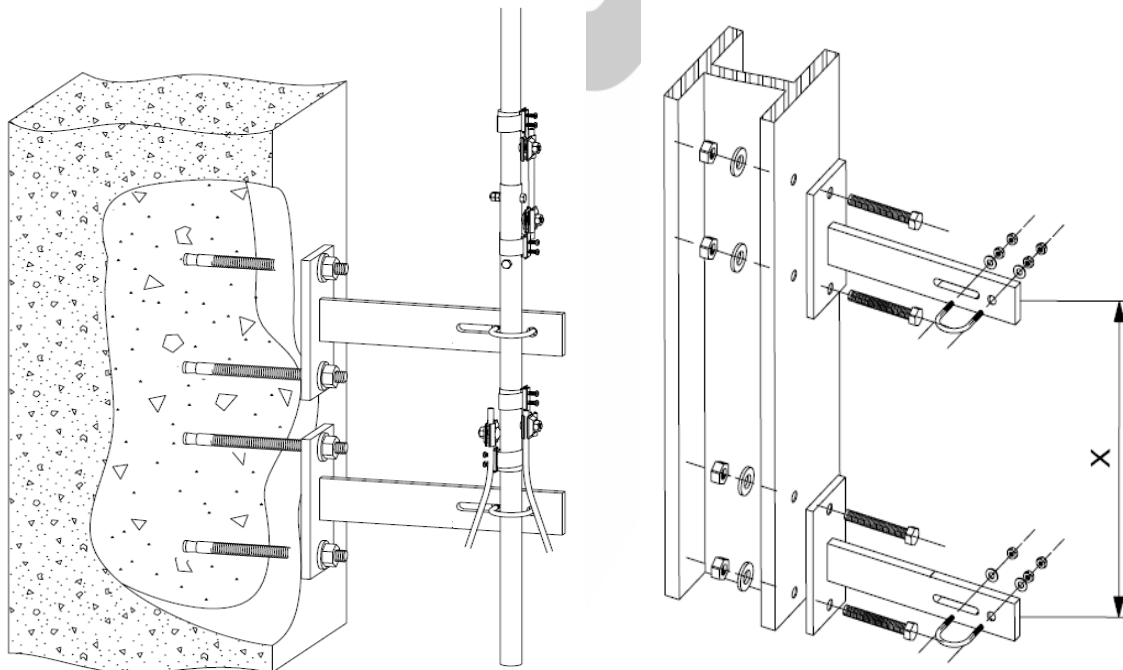
Manufacturing Quality Control

Manufacturing quality control according standard ISO 9001

Country of Origin

Greece

Unit: piece / Package: 1 piece



We reserve the right to introduce changes in the component due to technical evolution.