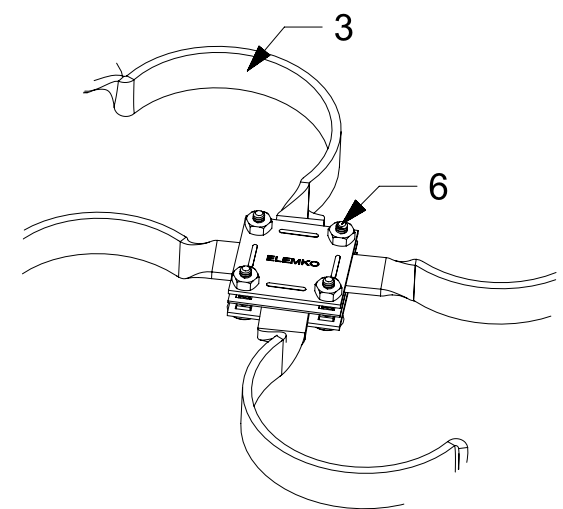
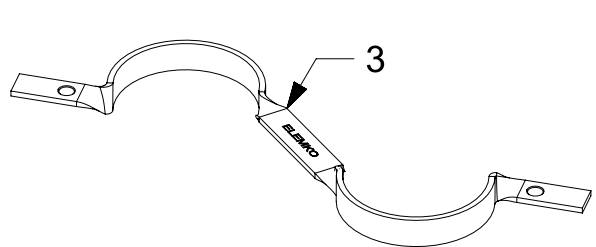


All dimensions in mm



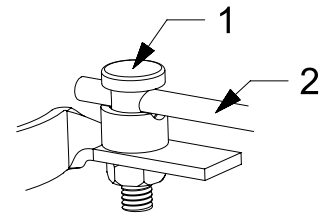
Detail A

"T" connection clamp (6) with contraction - expansion (3)



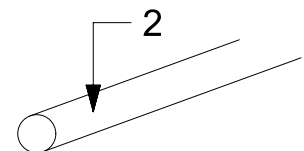
Detail D

Contraction - expansion component (3)



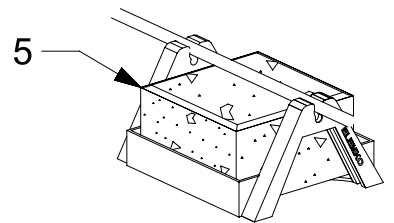
Detail B

Single bonding clamp (1) with round conductor (2)



Detail E

Round conductor (2)



Detail C

Conductor fastener on water proof flat roofs (4) with concrete cube (5) and round conductor (2)

ITEM	DESCRIPTION	DETAIL	FOR CONDUCTOR			STANDARD IEC EN
			Copper (Cu)	Steel - Aluminium (St/tZn - Al)	Stainless steel (SSt)	
1	Single bonding clamp	B	62 25 140	62 45 141	62 25 142	62561 - 1
2	Round conductor	B,C,E	64 20 008	64 00 108	64 60 008	62561 - 2
3	Contraction - expansion	A,D	64 21 300	64 01 300	64 21 301	62561 - 1&2
4	Conductor fastener	C	61 30 104	61 30 104	61 30 104	62561 - 4
5	Concrete cube	C	61 30 105	61 30 105	61 30 105	-
6	"T" connection clamp	A	62 21 833	62 01 833	62 61 833	62561 - 1



Title :
Air termination expansion component in cross configuration

FIRST ISSUED March 2017
 DRAWN BY Dionysopoulos G.
 CHECKED BY Kokkinos D.
 APPROVED BY Kokkinos D.
 SCALE None
 ISSUANCE DATE March 2017

DRG No. 039
<http://www.elemko.gr> elemko@elemko.gr



www.elemko.gr



elemko@elemko.gr

SHEET 1 OF 1