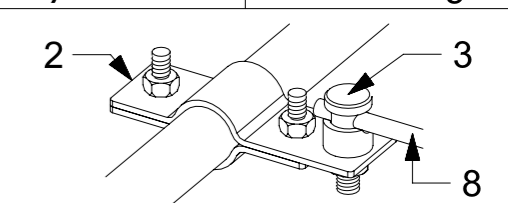
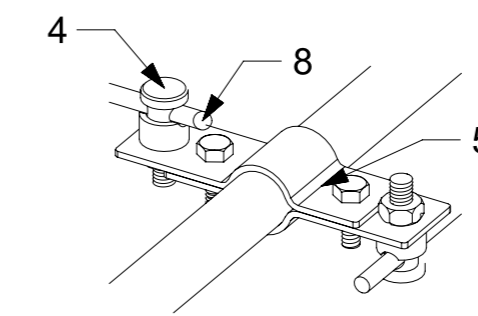


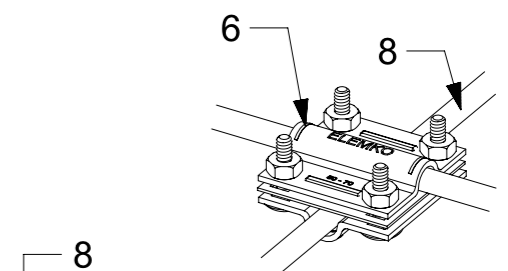
Detail A
Conductor fastener on water proof flat roofs (1) with round conductor (8)



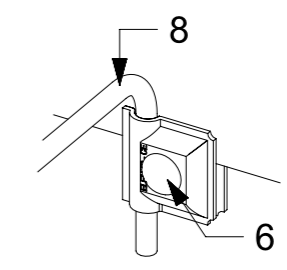
Detail B
Pipe clamp one point connection (2) with single bonding clamp (3) and round conductor (8)



Detail C
Pipe clamp two points connection (4) with single bonding clamp (3) and round conductor (8)

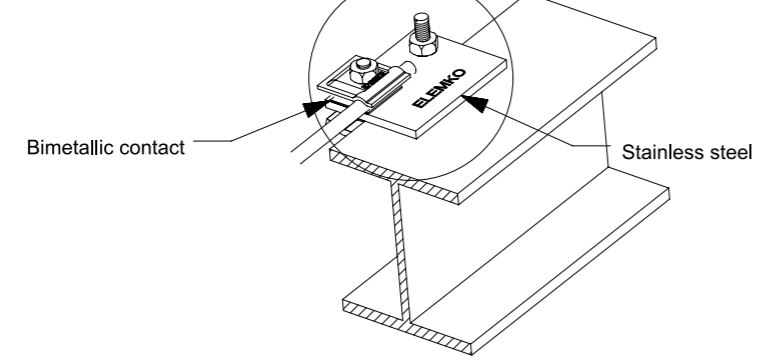


Detail D
"T" connection clamp (5) with round conductor (8)

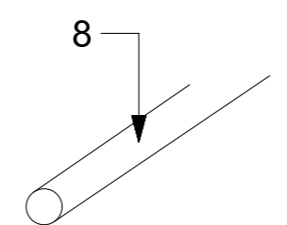
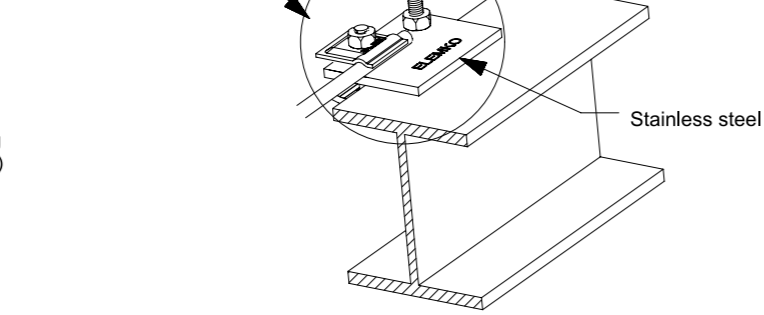


Detail E
Universal connector - clamp (6) with round conductor (8)

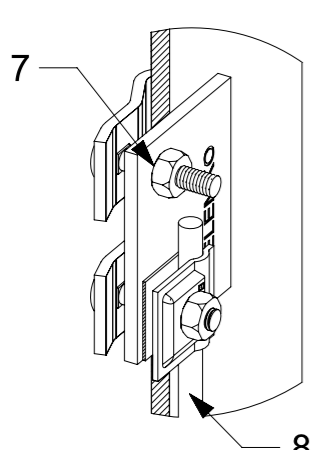
Clamp - fastener with bimetallic contact (ELEMKO code : 65 61 105)



Clamp fastener (ELEMKO code : 62 01 003)



Detail G
Round conductor (8)



Detail F
Bimetallic - clamp (7) connecting round conductor to "I" - beam (8)

All dimensions in mm

ITEM	DESCRIPTION	DETAIL	FOR CONDUCTOR			STANDARD
			Copper (Cu)	Steel - Aluminium (St/tZn - Al)	Stainless steel (SSt)	
1	Conductor fastener	A	61 30 101	61 30 101	61 30 101	62561 - 4
2	Pipe clamp (one point)	B	65 01 034	65 01 034	65 01 034	62561 - 1
3	Single bonding clamp	B , C	62 25 140	62 45 141	62 45 141	62561 - 1
4	Pipe clamp (two points)	C	65 02 034	65 02 034	65 02 034	62561 - 1
5	"T" connection clamp	D	62 21 810	62 01 810	62 61 810	62561 - 1
6	Universal connector - clamp	E	62 28 014	62 08 014	62 68 014	62561 - 1
7	Clamp - fastener	F	65 61 105	62 01 003	65 61 105	62561 - 1
8	Round conductor	A,B,C,D,E,F,G	64 20 008	64 00 108	64 60 008	62561 - 4

Title :

Equipotential bonding of metallic parts ("I" beams , pipes etc.)

FIRST ISSUED	February 2017	DRG NO.	032
DRAWN BY	Dionysopoulos G.		
CHECKED BY	Kokkinos D.	www.elemko.gr elemko@elemko.gr	
APPROVED BY	Kokkinos D.		
SCALE	None		
ISSUANCE DATE	February 2017	SHEET 1 OF 1	