



Alpha

The stairlift with style



Alpha

The superstar of chair stairlifts provides a versatility of design and aesthetic to compliment any interior.

Create your own personalised stairlift from our broad range of materials and finishes.

Classic Line



- Fully upholstered in fabric
- 6 options of fabric colour
- Armrest from robust plastic

Premium Line



- Wooden upholstered frame
- 6 options of fabric colour
- Armrest from imitation wood

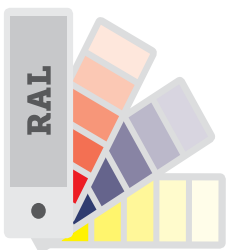
Exclusive Line



- Armrest crafted from nutwood
- 9 options of fabric and colour
- Adjustable backrest

Choose your rail colour

All RAL-colours are available for the rail of your choice.



FLEXIBLE INSTALLATION, FLEXIBLE DESIGN!

The Alpha stairlift eliminates the barrier of stairs by providing safe and easy access to other floors. Alpha has been designed for installation on stairs with a curve, an intermediate landing, or even when discreet out-of-the-way parking is required. Smooth riding, comfortable and reliable; the Alpha stairlift features a double rail system for both strength and durability.

Alpha is easy to operate by controls on the armrest and by two additional radio frequency remote controls. Through accurate photo measuring and computer-aided design, all our rails are custom bent to the exact specification of your stairs. Just choose the ideal seat and rail colours for Alpha to perfectly complement the interior design of your home and our installation will be delivered with industry-leading efficiency.

Alpha Exclusive Line

Elegance par excellence

- Seat, backrest and armrest are hand-crafted from noble nutwood
- 9 individual colours of high quality fabrics are available to personalise the upholstery of your stairlift
- The rail system can be painted in any RAL colour to perfectly compliment the design of your home's interior.
- An adjustable backrest to provide extra comfort during the ride



Seat and backrest as well as the armrests are **hand-crafted from noble nutwood**



Rounded seat edge and high quality processed fabrics



Detail of the hand-crafted armrest **with integrated lift controls**





Highest quality design and performance thanks to professional craftsmanship

9 different seat colours with fabrics made from either artificial leather (AL) or woven textiles (WT)



Olive (WT)

Granite (WT)

Bordeaux (WT)



Basalt (AL)

Burgundy (AL)

Mocha (AL)



Creme (AL)

Marble (WT)

Ivory (WT)

Exclusive materials make this lift a high-end and durable piece of furniture for your home



Easy upstairs!

Alpha Premium Line

Especially special

- Wooden seat and backrest available in 2 different wood colour tones
- 6 colours of fabric are available to personalise the upholstery of your stairlift
- Top surface of the armrests produced from imitation wood
- The rail system can be painted in any RAL colour to perfectly compliment the design of your home's interior.



Wood available in 2 **different wood colour tones**



Rounded seat edge for optimal comfort during the ride



Armrest made from imitation wood to perfectly match it with the wood tone of the seat and backrest





The Alpha stands for **robust functionality**
and **refined aesthetics**

6 different seat fabrics from artificial leather are
available for your choice:



Marine blue

Emerald green

Ruby red



Pearl white

Walnut brown

Safran yellow

2 different wood
colour tones can be
combined with the
selected seat colours :



Dark brown



Light brown

Selected seat colours can combine perfectly with **different**
wood colour tones



Easy upstairs!

LEHNER
LIFTTECHNIK

Alpha Classic Line to match any taste

- Upholstery fabric available in 6 colours.
- Seat and backrest are completely covered by fabric
- The rail system can be painted in any RAL colour to perfectly compliment the design of your home's interior.



Seat and backrest covered with fabric on both sides



By simply pressing a lever, the **seat can be turned** in the desired direction at the landing station



The **robust armrests** provide stable support for ones whole body weight

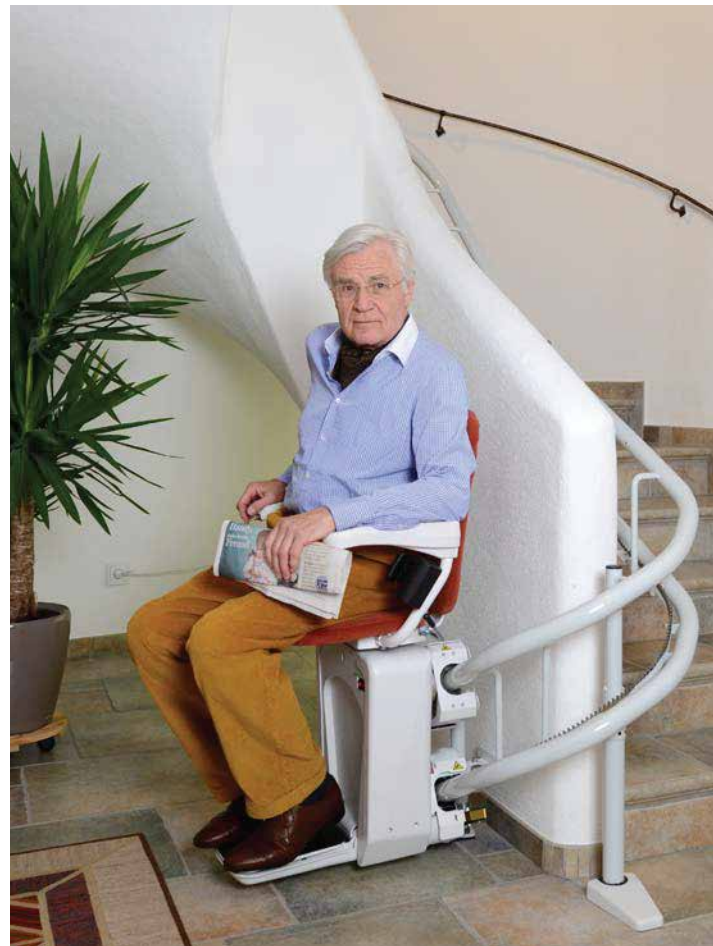




The Alpha classic-line is a **combination of clean design and proven technology**

Comfort, convenience and safety are the Alpha's top priorities

6 different seat fabrics from artificial leather are available for your choice:



Easy upstairs!


LEHNER
LIFTTECHNIK

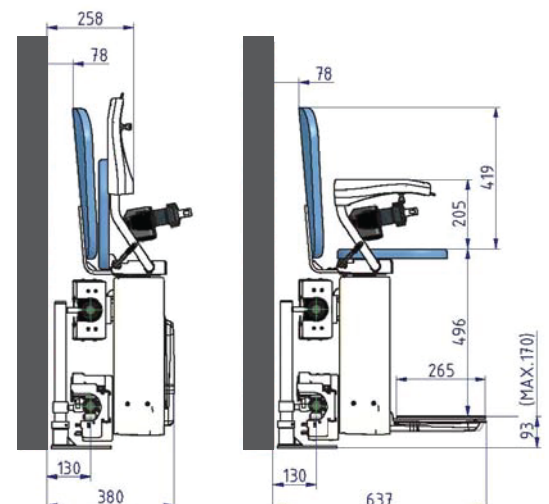
Main advantages of the Alpha stairlift

- 1 **Silent, stable and smooth riding quality** guaranteed by the slim twin tube rail system
- 2 **Large variety of colours and design** for the seat and the armrests
- 3 **Motorized footrest folding** as an option for comfortable raising and lowering of the footrest
- 4 **Motorised swivel seat** as an option for easy embarking and disembarking the lift.
- 5 Optional **wider armrests or adjustable inclination of the backrest**
- 6 **Convenient joystick position** for a simple handling of the lift
- 7 **Long range radio frequency landing controls** for trouble-free operation
- 8 **Stand-up seating** for very narrow staircases or limited mobility concerning back or knee flexibility
- 9 **LED diagnostic** for quick and understandable information regarding the status of the lift
- 10 **Retractable seatbelt and safety sensors** for maximum safety and peace-of-mind.



Alpha – Technical Specification

Loading capacity	130 kg (optional 145 kg)
Drive system	Rack and pinion
Motor	24V DC, battery driven
Possible gradient	0 – 52°
Speed	0,06 – 0,12 m/s
Max. Rail length	35 m
Noise level	Under 50dB
Temperature	+45°C to -15°C
Power supply	1 x 230V / 50–60Hz
Certificate	 TÜV certified to EN 81-40







Together we provide accessibility!

For further information please contact:



Platform stairlifts



Chair stairlifts



Vertical platformlifts



Stairclimbers



Poollifts



Official
partner of:

